

# POMPE CENTRIFUGHE NORMALIZZATE AD ASSE NUDO

Bare shaft normalized centrifugal pumps

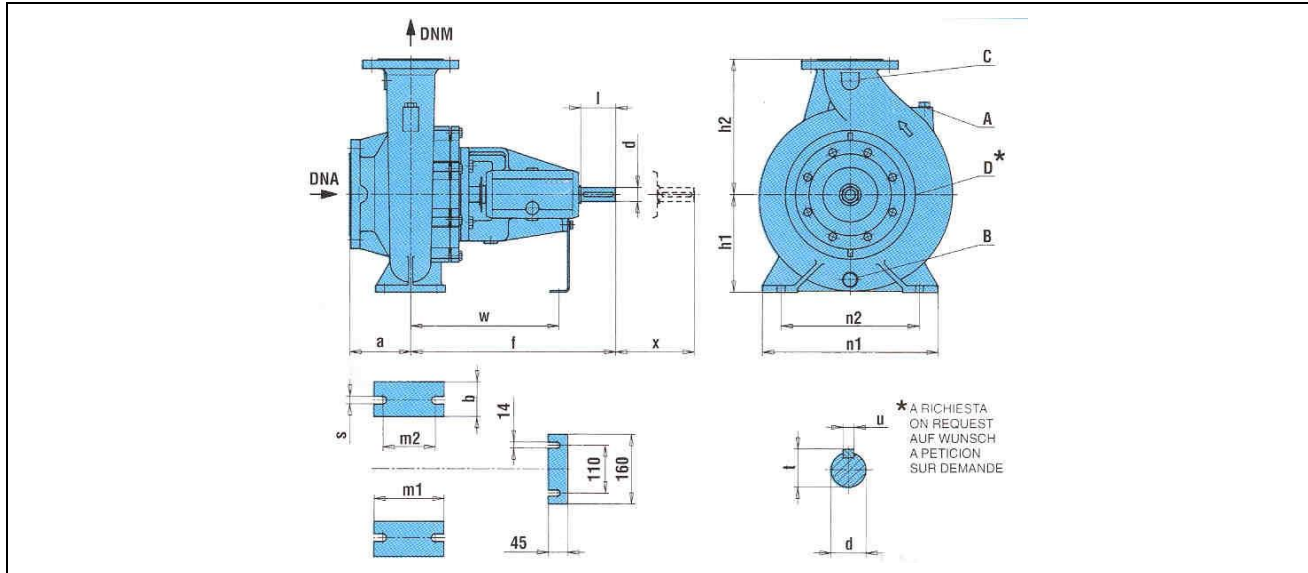
Pompes centrifuges normalisées à axe nu



## serie NAN

### DIMENSIONI E PESI

DIMENSIONS AND WEIGHTS / DIMENSIONS ET POIDS



Tipo - Type	DNA	DNM	a	b	d k6	f	h1	h2	l	m1	m2	n1	n2	s	t	u	w	x	A	B	C	D*	Kg
NAN32-125	50	32	80	50	24	360	112	140	50	100	70	190	140	14	26,9	8	260	100	G3/8"	G3/8"	G1/4"	G3/8"	26
NAN32-160	50	32	80	50	24	360	132	160	50	100	70	240	190	14	26,9	8	260	100	G3/8"	G3/8"	G1/4"	G1/4"	30,1
NAN32-200	50	32	80	50	24	360	160	180	50	100	70	240	190	14	26,9	8	260	100	G3/8"	G3/8"	G1/4"	G1/4"	35
NAN32-250*	50	32	100	65	24	360	180	225	50	125	95	320	250	14	26,9	8	260	100	G3/8"	G3/8"	G1/4"	G3/8"	42,5
NAN40-125	65	40	80	50	24	360	112	140	50	100	70	210	160	14	26,9	8	260	100	G3/8"	G3/8"	G1/4"	G3/8"	28,6
NAN40-160	65	40	80	50	24	360	132	160	50	100	70	240	190	14	26,9	8	260	100	G3/8"	G3/8"	G1/4"	G3/8"	33,5
NAN40-200	65	40	100	50	24	360	160	180	50	100	70	265	212	14	26,9	8	260	100	G3/8"	G3/8"	G1/4"	G3/8"	37
NAN40-250	65	40	100	65	24	360	180	225	50	125	95	320	250	14	26,9	8	260	100	G3/8"	G3/8"	G1/4"	G3/8"	45,5
NAN40-315	65	40	125	65	32	470	225	250	80	125	95	345	280	14	35	10	340	125	G3/8"	G3/8"	G3/8"	G3/8"	75
NAN50-125	65	50	100	50	24	360	132	160	50	100	70	240	190	14	26,9	8	260	100	G3/8"	G3/8"	G1/4"	G3/8"	31
NAN50-160	65	50	100	50	24	360	160	180	50	100	70	265	212	14	26,9	8	260	100	G3/8"	G3/8"	G1/4"	G3/8"	33,5
NAN50-200	65	50	100	50	24	360	160	200	50	100	70	265	212	14	26,9	8	260	100	G3/8"	G3/8"	G1/4"	G3/8"	39,5
NAN50-250	65	50	100	65	24	360	180	225	50	125	95	320	250	14	26,9	8	260	100	G3/8"	G3/8"	G1/4"	G3/8"	46,5
NAN65-125	80	65	100	65	24	360	160	180	50	125	95	280	212	14	26,9	8	260	100	G3/8"	G3/8"	G1/4"	G3/8"	35,5
NAN65-160	80	65	100	65	24	360	160	200	50	125	95	280	212	14	26,9	8	260	100	G3/8"	G3/8"	G1/4"	G3/8"	38
NAN65-200	80	65	100	65	24	360	180	225	50	125	95	320	250	14	26,9	8	260	140	G3/8"	G3/8"	G1/4"	G3/8"	43,8
NAN65-250	80	65	100	80	32	470	200	250	80	160	120	460	280	18	35,3	10	340	140	G3/8"	G3/8"	G1/4"	G3/8"	70,5
NAN65-315	80	65	125	80	32	470	225	280	80	160	120	400	315	18	35,3	10	340	140	G3/8"	G3/8"	G3/8"	G1/4"	86
NAN80-160	100	80	125	65	24	360	180	225	50	125	95	320	250	14	26,9	8	260	140	G3/8"	G3/8"	G1/4"	G1/4"	47
NAN80-200	100	80	125	65	32	470	180	250	50	125	95	345	280	14	35,3	10	340	140	G3/8"	G3/8"	G1/4"	G1/4"	63,5
NAN80-250	100	80	125	80	32	470	200	280	80	160	120	400	315	18	35,3	10	340	140	G3/8"	G3/8"	G3/8"	G1/4"	75,5
NAN80-315	100	80	125	80	32	470	250	315	80	160	120	400	315	18	35,3	10	340	140	G3/8"	G3/8"	G3/8"	G1/4"	94
NAN100-200	125	100	125	80	32	470	200	280	80	160	120	360	280	18	35,3	10	340	140	G3/8"	G3/8"	G3/8"	G1/4"	74
NAN100-250	125	100	140	80	32	470	225	280	80	160	120	400	315	18	35,3	10	340	140	G3/8"	G3/8"	G3/8"	G1/4"	88
NAM100-315	125	100	140	80	32	470	250	315	80	160	120	400	315	18	35,3	10	340	140	G3/8"	G3/8"	G3/8"	G1/4"	102
NAN100-400	125	100	140	100	42	530	280	355	110	200	150	500	400	24	45,1	12	370	140	G3/8"	G3/8"	G3/8"	G1/4"	161
NAN125-250	150	125	140	80	32	470	250	355	80	160	120	400	315	18	35,3	10	340	140	G3/8"	G3/8"	G3/8"	G1/4"	101
NAN125-250R	150	125	140	80	38	470	250	355	80	160	120	400	315	18	35,3	10	340	140	G3/8"	G3/8"	G3/8"	G1/4"	103
NAN125-315	150	125	140	100	42	530	280	355	110	200	150	500	400	24	45,1	12	370	140	G3/8"	G3/8"	G3/8"	G1/4"	148
NAN125-400	150	125	140	100	42	530	315	400	110	200	150	500	400	24	45,1	12	370	140	G3/8"	G3/8"	G3/8"	G1/4"	177
NAN150-315	200	150	160	100	42	530	280	400	110	200	150	550	450	24	45,1	12	370	140	G3/8"	G3/8"	G3/8"	G1/4"	165
NAN150-400	200	150	160	100	42	530	315	450	110	200	150	550	450	24	45,1	12	370	140	G3/8"	G3/8"	G3/8"	G1/4"	189

Flange UNI EN 1092-2 Fino a DN 150 PN 16, da DN 200 PN 10 Flanges UNI EN 1092-2 up to DN 150 PN 16, from DN 200 PN 10

DN	C	D	K	Fori/Holes/Trous	
				Fori/Holes/Trous	Fori/Holes/Trous
32	78	140	100	Ø 18	n° 4
40	88	150	110	Ø 18	n° 4
50	102	165	125	Ø 18	n° 4
65	122	185	145	Ø 18	n° 4
80	138	200	160	Ø 18	n° 4
100	158	220	180	Ø 18	n° 8
125	188	250	210	Ø 18	n° 8
150	212	285	240	Ø 22	n° 8
200	268	340	295	Ø 22	n° 8

Dimensioni d'ingombro in mm. - Overall dimensions mm. - Dimension en mm.

\* Solo a norma UNI 7467 - Pump accordino to standards UNI 7467 - Pompe selon UNI 7467