



Via Sale 119/121 - 25064  
Gussago (Brescia) ITALIA  
Vendite Italia Telefono 0302775.419  
e-mail: comm@gmppumps.com  
Export Telephone 0302775.414  
e-mail: export@gmppumps.com  
Fax 0302771137 - 0302772418

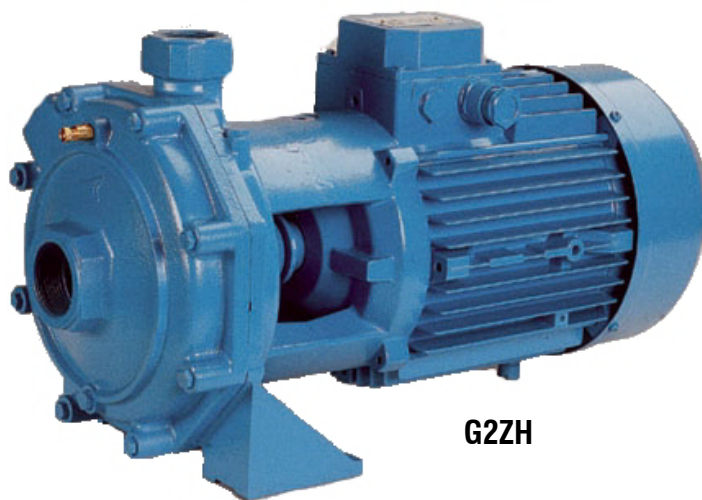
ELETTROPOMPE CENTRIFUGHE 2 giranti  
ELECTROPOMPES CENTRIFUGES 2 turbines  
CENTRIFUGAL ELECTRIC PUMPS twin impellers

# G2Z – G2ZH

Serie - Série - Serie



G2Z



G2ZH

## CARATTERISTICHE

Corpo pompa e supporto in ghisa (G20/G25), albero in acciaio inox, girante in noryl su modello G2Z/45, in lega di ottone stampata sui modelli G2Z/55, G2Z/65, G2Z/70, G2Z/75, G2Z/85, G2Z/95, G2ZH/80, G2ZH/90, G2ZH/100, G2ZH/110. Tenuta meccanica in grafite e ceramica.

Il motore è di tipo ad induzione con rotore a gabbia, a 2 poli, chiuso e autoventilato, adatto per servizio continuo S1, con grado di protezione IP 54 e isolamento in classe B per potenze inferiori o uguali a 0,88 kW (1,2 HP) e in classe F per le potenze superiori.

## CARACTERISTIQUES

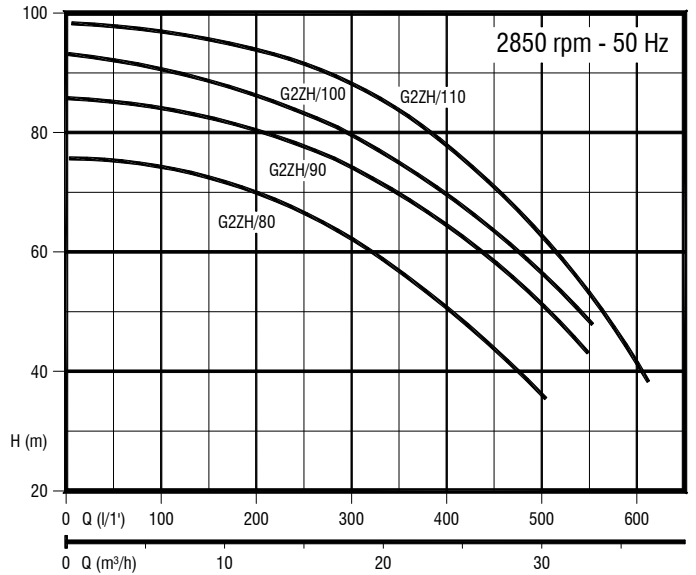
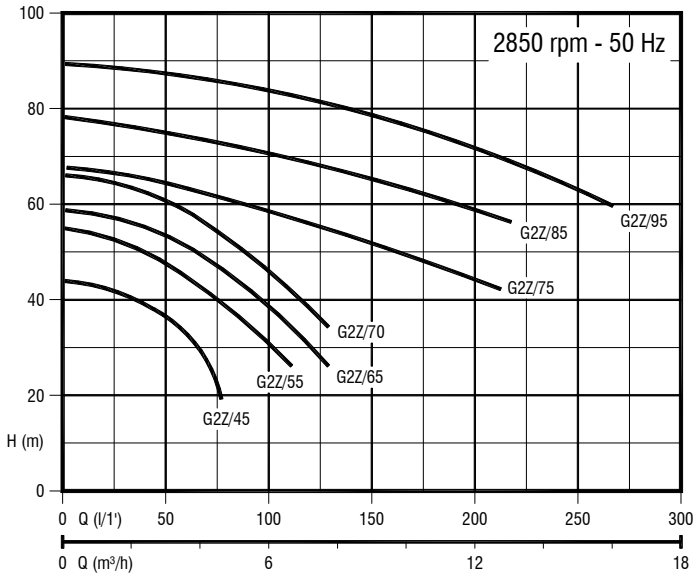
Corps de pompe et support en fonte (G20/G25), arbre en acier inox, turbines en noryl sur modèle G2Z/45, en alliage en laiton estampé sur le modèle G2Z/55, G2Z/65, G2Z/70, G2Z/75, G2Z/85, G2Z/95, G2ZH/80, G2ZH/90, G2ZH/100, G2ZH/110. Garniture mécanique en céramique et graphite.

Le moteur électrique est du type d'induction avec rotor à cage, à 2 pôles, fermé et autoventilé, indiqué pour service continu, avec degré de protection IP 54 et isolation en classe B pour puissances inférieures ou égales à 0,88 kW (1,2 HP) et en classe F pour puissances supérieures.

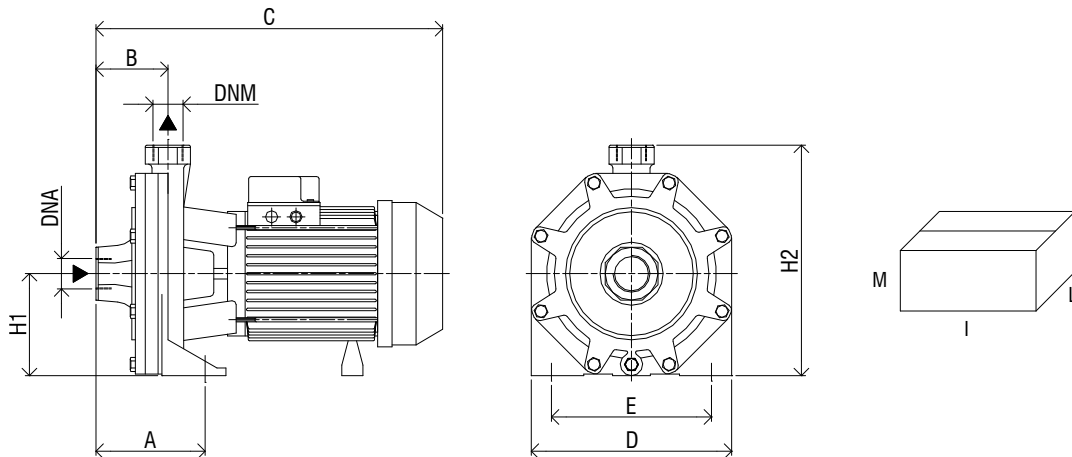
## SPECIFICATIONS

Pump body and motor bracket in cast iron (G20/G25), shaft in stainless steel, impeller in noryl for Mod. G2Z/45, impeller in stamped brass for Mod. G2Z/55, G2Z/65, G2Z/70, G2Z/75, G2Z/85, G2Z/95, G2ZH/80, G2ZH/90, G2ZH/100, G2ZH/110. Ceramic and graphite mechanical seal.

Enclosed and self-ventilated induction electric motor with short-circuit rotor, two poles, suitable for continuous duty, IP 54 protection degree and class B insulation for nominal power inferior or equal to 0,8 kW (1,2 HP) and class F insulation for nominal power superior to 0,88 kW.



| TIPO<br>TYPE   | Potenza nominale<br>Puiss. Nominale<br>Nominal power<br>HP   kW |      | AMPERE                                |                                    | Q = portata - débit - capacity |      |      |      |      |      |      |      |      |      |      |      |      |      |     |
|--|---|------|---------------------------------------|------------------------------------|--------------------------------|------|------|------|------|------|------|------|------|------|------|------|------|------|-----|
|  |   |      | Monofase<br>Monophasé<br>Single-phase | Trifase<br>Triphasé<br>Three-phase | m³/h                           | 0    | 1.5  | 3    | 4.5  | 6    | 7.5  | 9    | 10.5 | 12   | 15   | 18   | 24   | 30   | 36  |
|  |   |      | 1 x 220 V 50Hz                        | 3 x 380 V 50Hz                     | l/1'                           | 0    | 25   | 50   | 75   | 100  | 125  | 150  | 175  | 200  | 250  | 300  | 400  | 500  | 600 |
| Prevalenza manometrica in m. C.A. - Hauteur manométrique en m. - Total head in meters w.c. |   |      |                                       |                                    |                                |      |      |      |      |      |      |      |      |      |      |      |      |      |     |
| G2Z/45   | 1   | 0.74 | 5.5                                   | 2.5                                | 44                             | 41.5 | 37   | 22.5 |      |      |      |      |      |      |      |      |      |      |     |
| G2Z/55   | 1.5   | 1.1  | 8.8                                   | 3.4                                | 54.5                           | 53   | 49   | 39   | 31   |      |      |      |      |      |      |      |      |      |     |
| G2Z/65   | 2.2   | 1.65 | 7.8                                   | 4.2                                | 59                             | 58.5 | 54   | 47   | 39   | 28   |      |      |      |      |      |      |      |      |     |
| G2Z/70   | 3   | 2.2  | 9.2                                   | 5.4                                | 66                             | 65   | 61   | 54   | 46.5 | 36.5 |      |      |      |      |      |      |      |      |     |
| G2Z/75   | 4   | 3    | 21.5                                  | 7.6                                | 66.9                           | 63.9 | 63.3 | 61   | 58.4 | 55.2 | 51.5 | 47.8 | 44.2 |      |      |      |      |      |     |
| G2Z/85   | 5.5   | 4    | -                                     | 9.5                                | 78.7                           | 77.1 | 76.1 | 74.6 | 72   | 69.4 | 66   | 62.4 | 58.7 |      |      |      |      |      |     |
| G2Z/95   | 7.5   | 5.5  | -                                     | 14.7                               | 90                             | 89   | 88.6 | 87   | 84.8 | 82.3 | 79.2 | 76.3 | 72.5 | 62.7 |      |      |      |      |     |
| G2ZH/80  | 7.5   | 5.5  | -                                     | 15                                 | 77                             | 76.5 | 75.7 | 74.9 | 74   | 73.5 | 73   | 71.2 | 70.5 | 66.4 | 62.8 | 51.6 | 36   |      |     |
| G2ZH/90  | 10  | 7.5  | -                                     | 17.2                               | 86.4                           | 86.1 | 85.8 | 85.3 | 84.8 | 84   | 83.2 | 81.5 | 80.7 | 77.7 | 74.3 | 65   | 51.1 |      |     |
| G2ZH/100   | 12.5  | 9.2  | -                                     | 18.9                               | 93.6                           | 93.1 | 92.5 | 91.8 | 91   | 90   | 88.9 | 87.6 | 86.3 | 83   | 79.7 | 70.5 | 55.2 |      |     |
| G2ZH/110   | 15  | 11   | -                                     | 20.4                               | 98.7                           | 98.6 | 98.5 | 98   | 97.6 | 97   | 96.4 | 95.3 | 94.2 | 91.5 | 87.6 | 78.2 | 62.3 | 40.9 |     |



| TIPO<br>TYPE | Dimensioni mm<br>Dimensions mm<br>Dimensions mm |      |     |     |     |     |     |      |      | Dimensioni imballo mm<br>Dimensions d'emballage mm<br>Packing dimensions mm |     |     | Peso<br>Poids<br>Weight |
|--------------|---|------|-----|-----|-----|-----|-----|------|------|---|-----|-----|-------------------------|
|              | A   | B    | C   | D   | E   | H1  | H2  | DNA  | DNM  | I   | L   | M   | Kg                      |
| G2Z/45       | 122   | 73   | 328 | 180 | 140 | 98  | 228 | 1"G  | 1"G  | 350   | 195 | 265 | 15.3                    |
| G2Z/55       | 141   | 83   | 385 | 210 | 170 | 115 | 264 | 1"¼G | 1"G  | 405   | 225 | 295 | 24                      |
| G2Z/65       | 141   | 83   | 385 | 210 | 170 | 115 | 264 | 1"¼G | 1"G  | 405   | 225 | 295 | 23.4                    |
| G2Z/70       | 141   | 83   | 385 | 210 | 170 | 115 | 264 | 1"¼G | 1"G  | 405   | 225 | 295 | 23.4                    |
| G2Z/75       | 145   | 95.5 | 463 | 266 | 212 | 135 | 305 | 1"½G | 1"¼G | 500   | 275 | 350 | 41                      |
| G2Z/85       | 145   | 95.5 | 463 | 266 | 212 | 135 | 305 | 1"½G | 1"¼G | 500   | 275 | 350 | 44.8                    |
| G2Z/95       | 145   | 95.5 | 463 | 266 | 212 | 135 | 305 | 1"½G | 1"¼G | 500   | 275 | 350 | 50.5                    |
| G2ZH/80      | 190   | 120  | 605 | 275 | 210 | 150 | 330 | 2"G  | 1"¼G | 640   | 310 | 370 | 70.5                    |
| G2ZH/90      | 190   | 120  | 605 | 275 | 210 | 150 | 330 | 2"G  | 1"¼G | 640   | 310 | 370 | 77                      |
| G2ZH/100     | 190   | 120  | 645 | 275 | 210 | 150 | 330 | 2"G  | 1"¼G | 640   | 310 | 370 | 85                      |
| G2ZH/110     | 190   | 120  | 645 | 275 | 210 | 150 | 330 | 2"G  | 1"¼G | 640   | 310 | 370 | 92                      |