

MOTOPOMPE AUTOADESCANTI CON MOTORI DIESEL "KOHLER" SELF PRIMING MOTOR PUMPS WITH "KOHLER" DIESEL ENGINES MOTOPOMPES AUTOAMORÇANTES AVEC MOTEUR DIESEL "KOHLER"

GMP
PUMPS

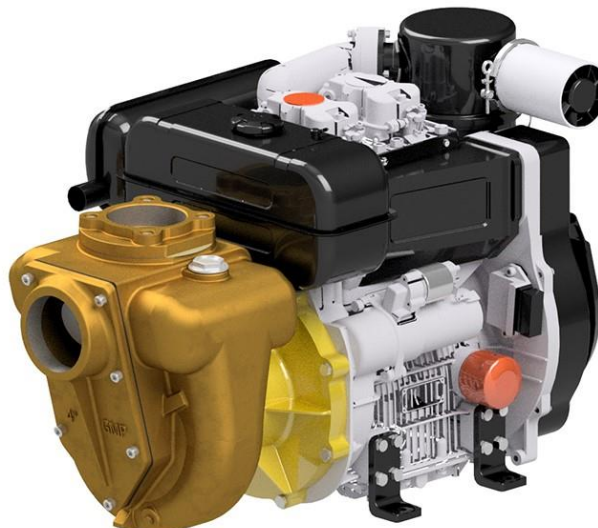
B4XR-AB(4"X4") KD625/2



(1)



(2)



IMPIEGHI

Motopompa autoadescante in bronzo realizzata in versione monoblocco a girante multipalare aperta a rasamento, particolarmente adatta per uso marino e circolazione di acqua di mare. Corpo, girante e valvola in bronzo, albero in acciaio inox. Una valvola a clapet posta all'interno del corpo pompa impedisce lo svuotamento della pompa dopo l'arresto.

USES

Bronze self priming motor pump monobloc execution with multi-blades open impeller, suitable for pumping sea water. Pump casing, impeller and valve are in bronze, the shaft is in stainless steel. A suitable non return valve is placed inside the pump body to avoid the empty after stopping.

APPLICATION

Motopompe autoamorçantes monobloc en bronze avec turbine ouverte plusieurs pales, indiquée pour d'eau de mer. Corps, turbine et valve sont en bronze, arbre en acier inox. Une valve à clapet est placée dans le corps de la pompe pour éviter le vidage après l'arrêt.

CARATTERISTICHE

Altezza massima di aspirazione: 6m.
 Max temperatura del liquido: +70°C
 Max passaggio corpi solidi: 38 mm
 Portata massima: 137 m³/h
 Prevalenza massima: 3,2 bar
 Ø aspirazione e mandata: 4"G

FEATURES

Max. suction depth: 6 m.
 Max. liquid temperature: +70°C
 Max. solids diameter: 38 mm
 Max. delivery: 137 m³/h
 Max. manometric head: 3,2 bar
 Ø inlet / outlet: 4"G

CARACTERISTIQUES

Hauteur d'aspiration maximale: 6 m.
 Température Max.: +70°C
 Max. diamètre des solides: 38 mm
 Débit maximum: 137 m³/h
 Hauteur manométrique: 3,2 bars
 Ø aspiration & refoulement: 4"G

CARATTERISTICHE COSTRUTTIVE

Corpo pompa: Bronzo marino (ASTM B148)
 Corpo valvola: Bronzo marino (ASTM B148)
 Supporto motore: Bronzo marino (ASTM B148)
 Girante: Bronzo marino (ASTM B148)
 Albero motore: Inox AISI316 (1.4401)
 Tenuta mecc.: Carbone/Allumina/Nbr/AISI316 (BVP2GG)

CONSTRUCTIVE CHARACTERISTICS

Pump body: Marine Bronze (ASTM B148)
 Valve body: Marine Bronze (ASTM B148)
 Support: Marine Bronze (ASTM B148)
 Impeller: Marine Bronze (ASTM B148)
 Motor shaft: Stainless Steel AISI316 (1.4401)
 Seal: Carbone/Alumina/Nbr/Aisi316 (BVP2GG)

CARACTERISTIQUES DE CONSTRUCTION

Corps de pompe : Bronze marin (ASTM B148)
 Corps valve: Bronze marin (ASTM B148)
 Support: Bronze marin (ASTM B148)
 Turbine: Bronze marin (ASTM B148)
 Arbre moteur: Acier inox AISI 316 (1.4401)
 Garniture: Charbon/Alumine/Nbr/Aisi316 (BVP2GG)

VERSIONI SPECIALI E OPZIONI

Materiali di costruzione:
 (1) In ghisa (versione standard e Semi-Trash)
 (2) Acciaio Inox Aisi 316 (1.4408)
 Tenute meccaniche diverse
 Accessori a richiesta:
 Base in acciaio
 Carrello
 Raccordi e tubi

SPECIAL VERSIONS

Constructive materials:
 (1) Cast Iron (standard version and Semi-Trash)
 (2) Cast stainless steel AISI 316 (1.4408)
 Different mechanical seals
 Accessories on request:
 Steel base
 Trolley
 Fittings and pipes

VERSIONS SPECIALES

Matériaux constructifs:
 (1) En Fonte (standard version et Semi-Trash)
 (2) Acier inoxydable fondu AISI 316 (1.4408)
 Garnitures mécaniques différentes
 Accessoires sur demande :
 Base en acier
 Brouette
 Raccords et tuyaux

DATI MOTORE

MOTOR DATA

MOTEUR

Modello Model Modèle	Tipo Type Type	Cilindri Cylinders Cylindrées	Cilindrata Displacement Cylindrée	Potenza – NA Rating – NA Puissance- NA		Capacità serb. Tank capacity Contenance du réservoir	N° Giri Tours/min. R.P.M.	Avviamento Starter Démarrage
		[N°]	[cm³]	[kW]	[CV]	[L]		
KD 625/2	Motore diesel 4 tempi raffreddato ad aria 4-Stroke air cooled diesel engine Moteur diesel 4 temps, refroidi par air	2	1248	17	23,2	10	3000	E

E: Avviamento Elettrico – Electric starting – Démarrage électrique

MOTOPOMPE AUTOADESCANTI CON MOTORI DIESEL "KOHLER" SELF PRIMING MOTOR PUMPS WITH "KOHLER" DIESEL ENGINES MOTOPOMPES AUTOAMORÇANTES AVEC MOTEUR DIESEL "KOHLER"

B4XR-AB (4"x4") KD625/2

CURVE DI PRESTAZIONE

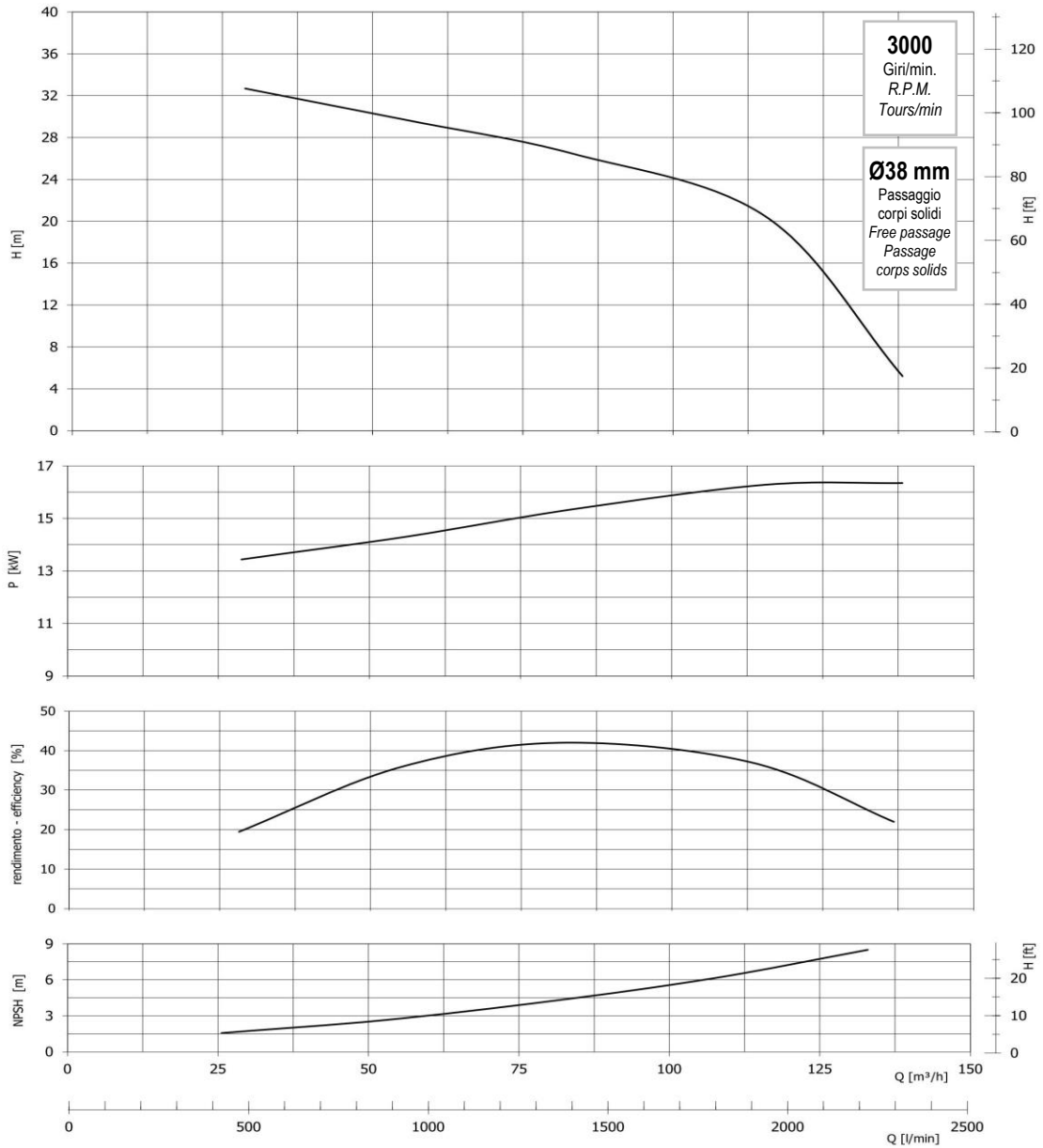
Tolleranze e curve secondo UNI EN ISO 9906 Appendice A
Le caratteristiche di funzionamento in questo catalogo si intendono con acqua pulita (peso specifico = 1000 kg/m³).

PERFORMANCES CURVES

Tolerances and curves according to UNI EN ISO 9906 Attachment A
The operating characteristics of the catalogue are to be understood with clear water (specific weight = 1000 kg/m³).

COURBES DE PERFORMANCES

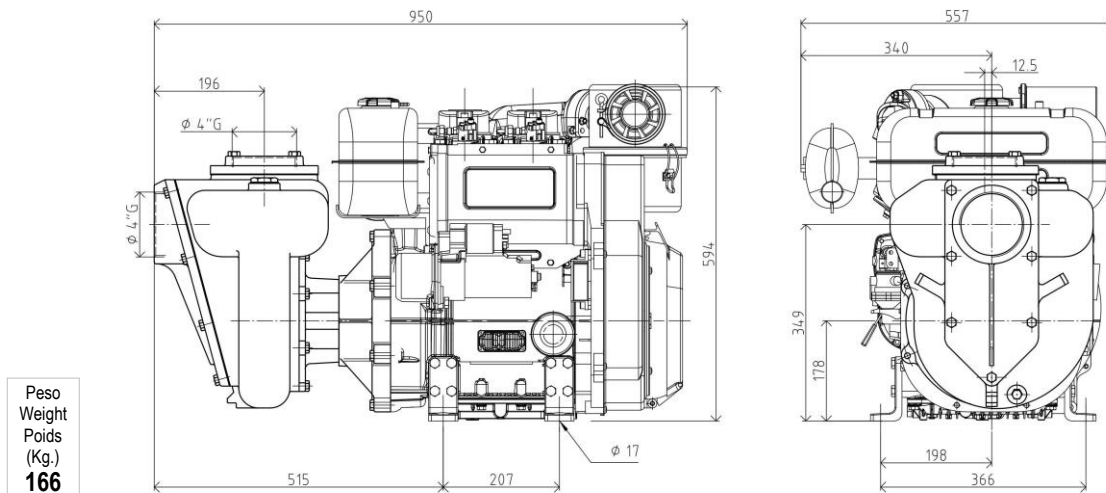
Tolérance et courbes conformes aux normes UNI EN ISO 9906 Annexe A.
Les caractéristiques de fonctionnement du catalogue sont entendues pour fonctionnement avec eau propre (poids spécifique = 1000 kg/m³).



DIMENSIONI

DIMENSIONS

DIMENSIONS



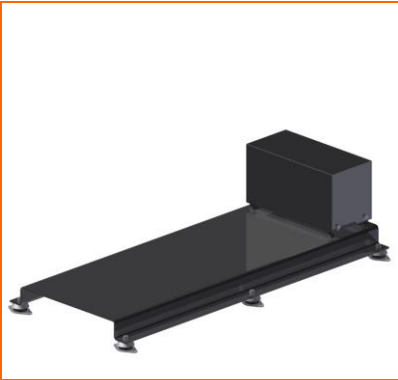
MOTOPOMPE AUTOADESCANTI CON MOTORI DIESEL "KOHLER"
SELF PRIMING MOTOR PUMPS WITH "KOHLER" DIESEL ENGINES
MOTOPOMPES AUTOAMORÇANTES AVEC MOTEUR DIESEL "KOHLER"

GMP
PUMPS

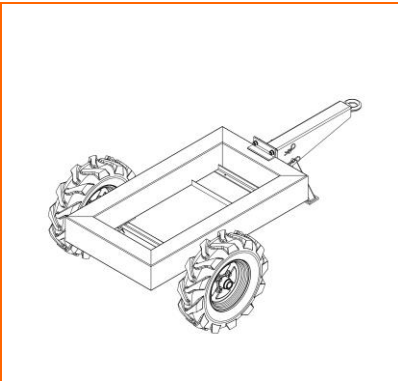
ACCESSORI

ACCESSORIES

ACCESSOIRES



Base in acciaio con portabatteria
 Steel Base with battery – Base en acier avec batterie



Carrello tipo Biga Cat. 1709
 Biga trolley – Petite Biga



Tubo aspirazione Ø100 in PVC Cat. 9115
 Plasticized PVC hose – Tuyau en PVC plastifié



Tubo mandata Ø100 Cat. F554
 Flat plasticized PVC hose – Tuyau plat en PVC plastifié



Raccordi rapidi diritti in Acciaio Zincato Cat. 1028
 Straight hose connections – Raccords rapide droits



Raccordi rapidi curvi in Acciaio Zincato Cat. 1038
 Curved hose connections – Raccords rapides corbe



Succheruole in Acciaio Zincato Cat. 1052
 Suction strainers – Crépines sans clapet

B4XR-AB(4"X4") KD625/2