

MOTOPOMPE AUTOADESCANTI CON MOTORI DIESEL "KOHLER" SELF PRIMING MOTOR PUMPS WITH "KOHLER" DIESEL ENGINES MOTOPOMPES AUTOAMORÇANTES AVEC MOTEUR DIESEL "KOHLER"

GMP
PUMPS

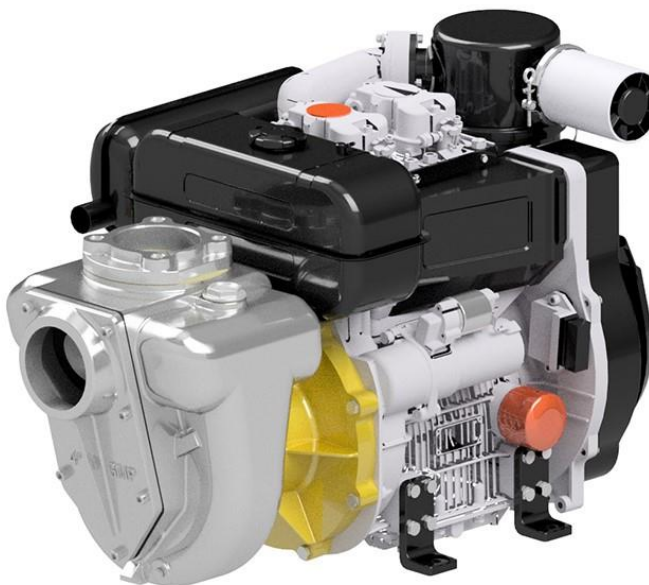
B4XR-AX(4"X4") KD625/2



(1)



(2)



IMPIEGHI

realizzata in versione monoblocco a girante multipalare aperta a rasamento, particolarmente adatta per uso marino e circolazione di acqua di mare. Corpo, girante, valvola e albero in acciaio inox AISI 316

Una valvola a clapet posta all'interno del corpo pompa impedisce lo svuotamento della pompa dopo l'arresto.

USES

Stainless steel self priming motor pump monobloc execution with multi-blades open impeller, suitable for pumping sea water.

Pump casing, impeller, valve and shaft is in stainless steel AISI 316

A clapet valve placed inside the pump body prevents the pump from emptying after stopping.

APPLICATION

Motopompe autoamorçantes monobloc en Acier Inox avec turbine ouverte plusieurs pales, indiquée pour d'eau de mer.

Corps, turbine, valve et arbre en acier inox AISI 316.

Une valve à clapet placée à l'intérieur du corps de pompe empêche la pompe de se vider après l'arrêt.

CARATTERISTICHE

| | |
|---------------------------------|----------|
| Altezza massima di aspirazione: | 6m. |
| Max temperatura del liquido: | +70°C |
| Max passaggio corpi solidi: | 32 mm |
| Portata massima: | 137 m³/h |
| Prevalenza massima: | 3,2 bar |
| Ø aspirazione e mandata: | 4" G |

FEATURES

| | |
|--------------------------|----------|
| Max. suction depth: | 6 m. |
| Max. liquid temperature: | +70°C |
| Max. solids diameter: | 32 mm |
| Max. delivery: | 137 m³/h |
| Max. manometric head: | 3,2 bar |
| Ø inlet / outlet: | 4" G |

CARACTERISTIQUES

| | |
|--------------------------------|----------|
| Hauteur d'aspiration maximale: | 6 m. |
| Température Max.: | +70°C |
| Max. diamètre des solides: | 32 mm |
| Débit maximum: | 137 m³/h |
| Hauteur manométrique: | 3,2 bars |
| Ø aspiration & refoulement: | 4" G |

CARATTERISTICHE COSTRUTTIVE

| | |
|------------------|---------------------------------------|
| Corpo pompa: | Acc. Inox AISI 316 (ASTM A 351) |
| Corpo valvola: | Acc. Inox AISI 316 (ASTM A 351) |
| Supporto motore: | Acc. Inox AISI 316 (ASTM A 351) |
| Girante: | Acc. Inox AISI 316 (ASTM A 351) |
| Albero motore: | Inox AISI316 (1.4401) |
| Tenuta mecc.: | Carbone/Allumina/NBR/AISI316 (BVP2GG) |

CONSTRUCTIVE CHARACTERISTICS

| | |
|--------------|--------------------------------------|
| Pump body: | S.S. AISI 316 (ASTM A 351) |
| Valve body: | S.S. AISI 316 (ASTM A 351) |
| Support: | S.S. AISI 316 (ASTM A 351) |
| Impeller: | S.S. AISI 316 (ASTM A 351) |
| Motor shaft: | Stainless Steel AISI316 (1.4401) |
| Seal: | Carbone/Alumina/Nbr/Aisi316 (BVP2GG) |

CARACTERISTIQUES DE CONSTRUCTION

| | |
|------------------|--------------------------------------|
| Corps de pompe : | Acier Inox AISI 316 (ASTM A 351) |
| Corps valve: | Acier Inox AISI 316 (ASTM A 351) |
| Support: | Acier Inox AISI 316 (ASTM A 351) |
| Turbine: | Acier Inox AISI 316 (ASTM A 351) |
| Arbre moteur: | Acier inox AISI 316 (1.4401) |
| Garniture: | Charbon/Alumine/Nbr/Aisi316 (BVP2GG) |

VERSIONI SPECIALI E OPZIONI

Materiali di costruzione:

- (1) In ghisa (versione standard e Semi-Trash)
- (2) Bronzo marino (ASTM B148)
- Tenute meccaniche diverse

Accessori a richiesta:

- Base in acciaio
- Carrello
- Raccordi e tubi

SPECIAL VERSIONS

Constructive materials:

- (1) Cast Iron (standard version and Semi-Trash)
- (2) Marine Bronze (ASTM B148)
- Different mechanical seals

Accessories on request:

- Steel base
- Trolley
- Fittings and pipes

VERSIONS SPECIALES

Matériaux constructifs:

- (1) En Fonte (standard version et Semi-Trash)
- (2) Bronze marin (ASTM B148)
- Garnitures mécaniques différentes

Accessoires sur demande :

- Base en acier
- Brouette
- Raccords et tuyaux

DATI MOTORE

MOTOR DATA

MOTEUR

| Modello Model Modèle | Tipo Type Type | Cilindri Cylinders Cylindrées | Cilindrata Displacement Cylindrée | Potenza – NA Rating – NA Puissance- NA | | Capacità serb. Tank capacity Contenance du réservoir | N° Giri Tours/min. R.P.M. | Avviamento Starter Démarrage |
|----------------------------|---|-------------------------------------|---|--|------|---|---------------------------------|------------------------------------|
| | | [N°] | [cm³] | [kW] | [CV] | [L] | | |
| KD 625/2 | Motore diesel 4 tempi raffreddato ad aria 4-Stroke air cooled diesel engine Moteur diesel 4 temps, refroidi par air | 2 | 1248 | 17 | 23,2 | 10 | 3000 | E |

E: Avviamento Elettrico – Electric starting – Démarrage électrique

MOTOPOMPE AUTOADESCANTI CON MOTORI DIESEL "KOHLER" SELF PRIMING MOTOR PUMPS WITH "KOHLER" DIESEL ENGINES MOTOPOMPES AUTOAMORÇANTES AVEC MOTEUR DIESEL "KOHLER"

B4XR-AX (4"x4") KD625/2

CURVE DI PRESTAZIONE

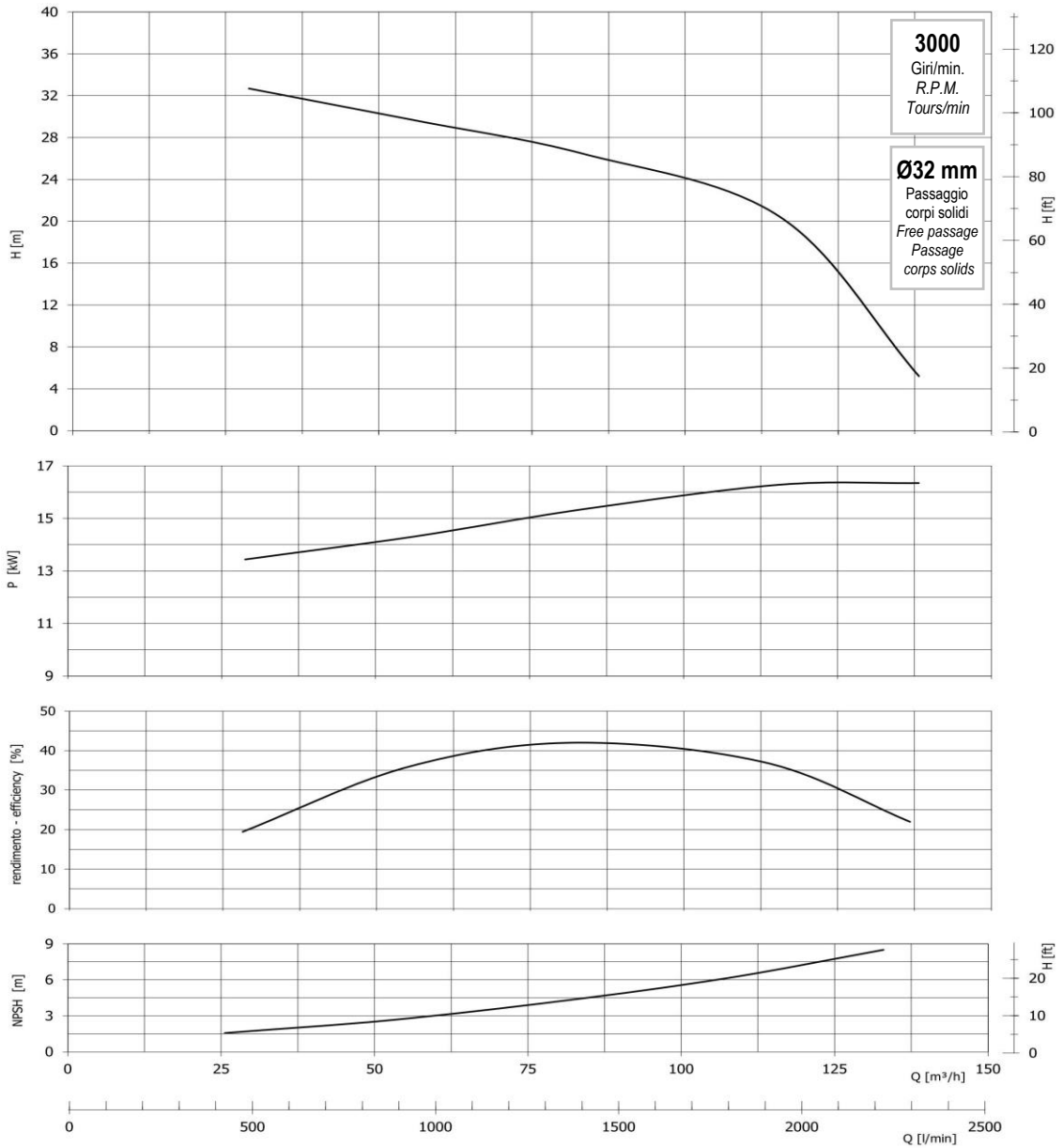
Tolleranze e curve secondo UNI EN ISO 9906 Appendice A
Le caratteristiche di funzionamento in questo catalogo si intendono con acqua pulita (peso specifico = 1000 kg/m³).

PERFORMANCES CURVES

Tolerances and curves according to UNI EN ISO 9906 Attachment A
The operating characteristics of the catalogue are to be understood with clear water (specific weight = 1000 kg/m³).

COURBES DE PERFORMANCES

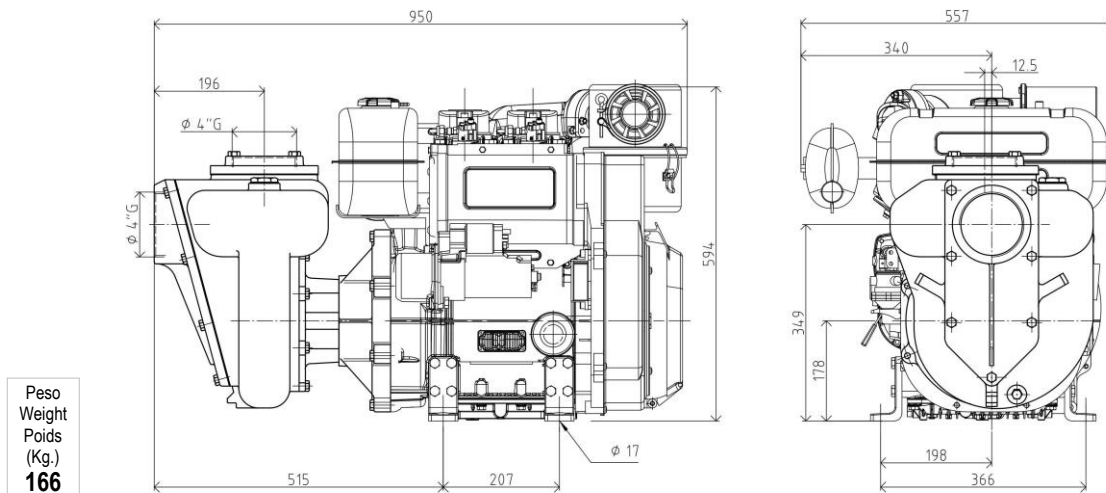
Tolérance et courbes conformes aux normes UNI EN ISO 9906 Annexe A.
Les caractéristiques de fonctionnement du catalogue sont entendues pour fonctionnement avec eau propre (poids spécifique = 1000 kg/m³).



DIMENSIONI

DIMENSIONS

DIMENSIONS



Peso
Weight
Poids
(Kg.)
166

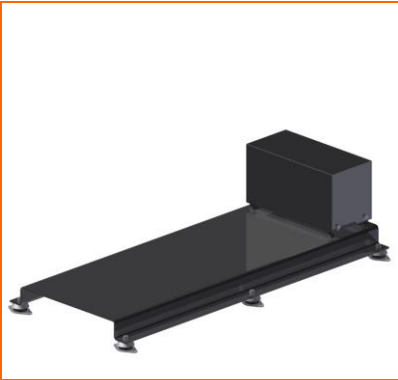
MOTOPOMPE AUTOADESCANTI CON MOTORI DIESEL "KOHLER"
SELF PRIMING MOTOR PUMPS WITH "KOHLER" DIESEL ENGINES
MOTOPOMPES AUTOAMORÇANTES AVEC MOTEUR DIESEL "KOHLER"

GMP
PUMPS

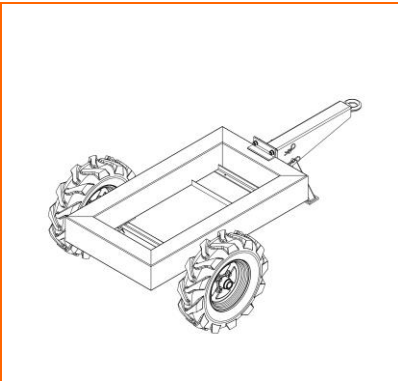
ACCESSORI

ACCESSORIES

ACCESSOIRES



Base in acciaio con portabatteria
 Steel Base with battery – Base en acier avec batterie



Carrello tipo Biga Cat. 1709
 Biga trolley – Petite Biga



Tubo aspirazione Ø100 in PVC Cat. 9115
 Plasticized PVC hose – Tuyau en PVC plastifié



Tubo mandata Ø100 Cat. F554
 Flat plasticized PVC hose – Tuyau plat en PVC plastifié



Raccordi rapidi diritti in Acciaio Zincato Cat. 1028
 Straight hose connections – Raccords rapide droits



Raccordi rapidi curvi in Acciaio Zincato Cat. 1038
 Curved hose connections – Raccords rapides corbe



Succheruole in Acciaio Zincato Cat. 1052
 Suction strainers – Crépines sans clapet

B4XR-AX(4"X4") KD625/2