

ELETTROPOMPE AUTOADESCANTI IN BRONZO

BRONZE SELF PRIMING ELECTRIC PUMPS

ELECTROPOMPES AUTOAMORÇANTES EN BRONZE

GMP
PUMPS

“NEW LINE”

B1KQ-A/B 0,55KW



DESCRIZIONE

Elettropompa autoadescante in bronzo realizzata in versione monoblocco a girante multipalare aperta a rasamento, particolarmente adatta per uso marino e circolazione di acqua di mare. Corpo, girante e valvola in bronzo, albero in acciaio inox.

La valvola di ritegno posta all'interno della bocca di aspirazione impedisce lo svuotamento della pompa dopo l'arresto garantendone l'adescamento.

DESCRIPTION

Bronze self priming electric pump monobloc execution with multi-blades open impeller, suitable for pumping sea water.

Pump casing, impeller and valve are in bronze; the shaft is in stainless steel.

The check valve located inside the inlet prevents the pump from emptying after it has stopped, guaranteeing its priming.

DESCRIPTION

Electropompe autoamorçantes monobloc en bronze avec turbine ouverte plusieurs pales, indiquée pour d'eau de mer.

Corps, turbine et valve sont en bronze; arbre en acier inox.

Le clapet anti-retour situé à l'intérieur de l'entrée empêche la pompe de se vider après son arrêt, garantissant son amorçage.

CARATTERISTICHE

Altezza massima di aspirazione:	6 m.
Max temperatura del liquido:	+70°C
Max passaggio corpi solidi:	6 mm
Portata massima:	8 m³/h
Prevalenza massima:	1,2 bar
Ø aspirazione e mandata:	1" G

FEATURES

Max. suction depth:	6 m.
Max. liquid temperature:	+70°C
Max. solids diameter:	6 mm
Max. delivery:	8 m³/h
Max. manometric head:	1,2 bar
Ø inlet and outlet:	1" G

CARACTERISTIQUES

Hauteur d'aspiration maximale:	6 m.
Température Max.:	+70°C
Max. diamètre des solides:	6 mm
Débit maximum:	8 m³/h
Hauteur manométrique:	1,2 bars
Ø aspiration et refoulement:	1" G

MATERIALI

Corpo pompa:	Bronzo (ASTM B148 C 95800)
Corpo valvola:	Bronzo (ASTM B148 C 95800)
Girante:	Bronzo (ASTM B148 C 95800)
Disco porta tenuta:	Acciaio inox Aisi 316 (1.4401)
Tenuta meccanica:	Carbone/Nbr/Allumina/AISI
Albero motore (disegno GMP):	Acc. Inox AISI 316

MATERIALS

Pump body:	Bronze (ASTM B148 C 95800)
Valve body:	Bronze (ASTM B148 C 95800)
Impeller :	Bronze (ASTM B148 C 95800)
Seal disc:	Stainless steel Aisi 316 (1.4401)
Mechanical Seal:	Carbon/ Nbr/ Alumina/AISI
Motor shaft (GMP design):	Stainless Steel AISI 316

MATÉRIAUX

Corps de pompe :	Bronze (ASTM B148 C 95800)
Corps valve:	Bronze (ASTM B148 C 95800)
Turbine:	Bronze (ASTM B148 C 95800)
Couvercle porte Garniture:	Acier Inox Aisi 316 (1.4401)
Garniture:	Charbon/NBR/Alumine/AISI
Arbre moteur (dessin GMP):	Acier Inox AISI 316

CARATTERISTICHE MOTORE

Forma costruttiva:	B3/B14
Grandezza:	IEC 71
Classe rendimento:	IE2 (3PH)
Classe d'isolamento:	F

ENGINE FEATURES

Construction form:	B3/B14
Frame:	IEC 71
Efficiency class:	IE2 (3PH)
Insulation class:	F

CARACTÉRISTIQUES DU MOTEUR

Forme constructive:	B3/B14
Taille:	IEC 71
Classe de rendement:	IE2 (3PH)
Classe d'isolation:	F

VERSIONI SPECIALI

Tenute meccaniche materiali diversi
Tensioni speciali / Frequenza 60Hz

SPECIAL VERSION

Different mechanical seals
Special voltages / Frequency 60Hz

VERSIONS SPECIALES

Garnitures mécaniques différentes
Voltage spéciaux / Fréquence 60Hz

DATI TECNICI

TECHNICAL DATA

DONNES TECHNIQUES

Tipo Type	P2 (kW)	Tensione Voltage Tension (Volt)	Freq. (Hz)	Corrente nominale Rated current Intensité (A)	Protezione Protection Protection	Giri/min RPM Tours/min	Cond. (µF)	Peso Weight Poids (Kg.)	A/B/C (mm)
B1KQ-A/B M. (*)	0,55	230	50	3,9	IP 55	2900	20	19	210x440x390
B1KQ-A/B T. (**)		230/400		2,6 / 1,5					



ELETTROPOMPE AUTOADESCANTI IN BRONZO

BRONZE SELF PRIMING ELECTRIC PUMPS

ELECTROPOMPES AUTOAMORÇANTES EN BRONZE

B1KQ-A/B 0,55kW

CURVE DI PRESTAZIONE

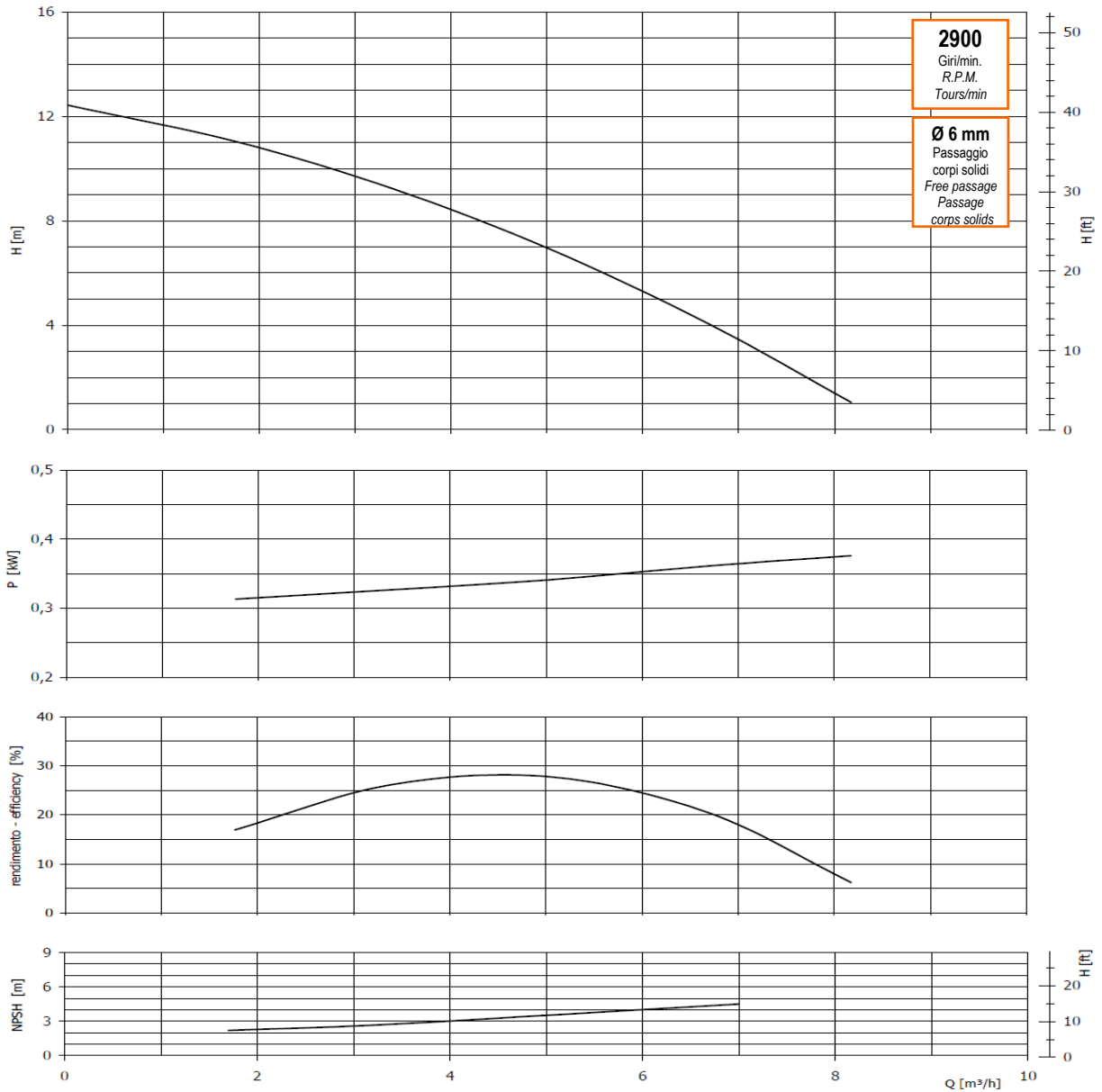
Tolleranze e curve secondo UNI EN ISO 9906
Appendice A

PERFORMANCES CURVES

Tolerances and curves according to UNI EN ISO 9906
Attachment A

COURBES DE PERFORMANCES

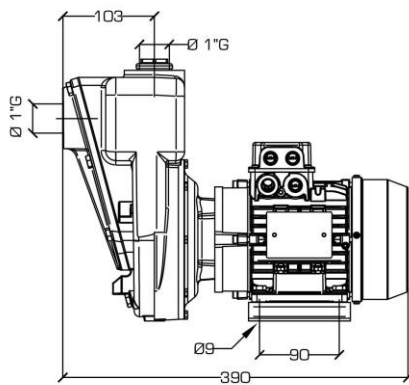
Tolérance et courbes conformes aux normes UNI EN ISO 9906
Annexe A



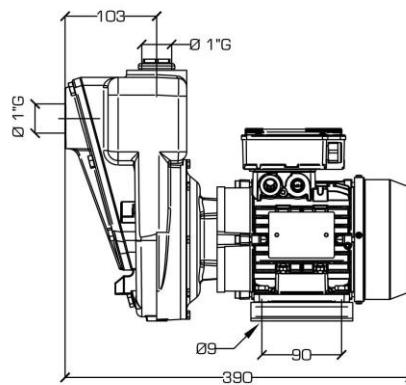
DIMENSIONI

DIMENSIONS

DIMENSIONS



(**3ph)



(**1ph)

