

# ELETTROPOMPE AUTOADESCANTI IN BRONZO

## BRONZE SELF PRIMING ELECTRIC PUMPS

### ELECTROPOMPES AUTOAMORÇANTES EN BRONZE



# B4ZPM-A/B 22KW



#### DESCRIZIONE

Elettropompa autoadescante in bronzo collegata al motore elettrico tramite giunto elastico con girante multipalare aperta a rasamento, particolarmente adatta per uso marino e circolazione di acqua di mare. Corpo, girante e valvola in bronzo, albero in acciaio inox. Utilizzo per alta prevalenza. Una valvola a clapet posta all'interno del corpo pompa impedisce lo svuotamento della pompa dopo l'arresto.

#### DESCRIPTION

Bronze self priming electric pump coupled with electric motor by flexible coupling with multi-blades open impeller, suitable for pumping sea water. Pump casing, impeller and valve are in bronze; the shaft is in stainless steel. Use for high pressure. A non-return valve inside the pump body prevents emptying after stopping.

#### DESCRIPTION

Electropompe autoamorçantes en bronze couplée par joint élastique au moteur électrique avec turbine ouverte plusieurs pales, indiquée pour d'eau de mer. Corps, turbine et valve sont en bronze; arbre en acier inox. Utilisation pour haute pression. Une valve à clapet est placée dans le corps de la pompe pour éviter le vidage après l'arrêt.

#### CARATTERISTICHE

Altezza massima di aspirazione: 6 m.  
Max temperatura del liquido: +70°C  
Max passaggio corpi solidi: 19 mm  
Portata massima: 102 m³/h  
Prevalenza massima: 6,2 bar  
Ø aspirazione e mandata: 4" G

#### FEATURES

Max. suction depth: 6 m.  
Max. liquid temperature: +70°C  
Max. solids diameter: 19 mm  
Max. delivery: 102 m³/h  
Max. manometric head: 6,2 bar  
Ø inlet / outlet: 4" G

#### CARACTERISTIQUES

Hauteur d'aspiration maximale: 6 m.  
Température Max.: +70°C  
Max. diamètre des solides: 19 mm  
Débit maximum: 102 m³/h  
Hauteur manométrique: 6,2 bars  
Ø aspiration & refoulement: 4" G

#### VERSIONE

Corpo pompa: Bronzo (ASTM B148 C 95800)  
Corpo valvola: Bronzo (ASTM B148 C 95800)  
Girante: Bronzo (ASTM B148 C 95800)  
Disco porta tenuta: Acciaio inox Aisi 316 (1.4401)  
Supporto motore: Ghisa (EN-GJL-250)  
Albero motore: Acciaio inox Aisi 316 (1.4401)  
Tenuta mecc.: Carbone/Nbr/Aisi 316/Allumina

#### VERSION

Pump body: Bronze (ASTM B148 C 95800)  
Valve body: Bronze (ASTM B148 C 95800)  
Impeller: Bronze (ASTM B148 C 95800)  
Seal disc: Stainless steel Aisi 316 (1.4401)  
Support: Cast iron (EN-GJL-250)  
Motor shaft: Stainless steel Aisi 316 (1.4401)  
Seal: Carbon/Nbr/Aisi 316/Alumina

#### EXECUTION

Corps de pompe: Bronze (ASTM B148 C 95800)  
Corps valve: Bronze (ASTM B148 C 95800)  
Turbine: Bronze (ASTM B148 C 95800)  
Couvercle porte garniture: Acier Inox Aisi 316 (1.4401)  
Support: Fonte (EN-GJL-250)  
Arbre moteur: Acier Inox Aisi 316 (1.4401)  
Garniture: Charbon/Nbr/Aisi316/Alumine

#### VERSIONI SPECIALI

Tenute meccaniche materiali diversi  
Tensioni speciali  
Frequenza 60Hz

#### SPECIAL VERSION

Different mechanical seals  
Special voltages  
Frequency 60Hz

#### VERSIONS SPECIALES

Garnitures mécaniques différentes  
Voltages spéciaux  
Fréquence 60Hz

#### DATI TECNICI

#### TECHNICAL DATA

#### DONNES TECHNIQUES

Tipo Type	P2 (kW)	V (Volt)	Freq. (Hz)	Corrente nominale Rated current Intensité (A)	Protez. Protection	Giri/min RPM Tours/min	Cond. (µF)	Peso Weight Poids (Kg.)	A/B (mm)
B4ZPM-A/B	22	400/690	50	38,5/22	IP 55	2940	/	295	800x1300



# ELETTROPOMPE AUTOADESCANTI IN BRONZO

## BRONZE SELF PRIMING ELECTRIC PUMPS

### ELECTROPOMPES AUTOAMORÇANTES EN BRONZE

**B4ZPM-A/B 22kW**

#### CURVE DI PRESTAZIONE

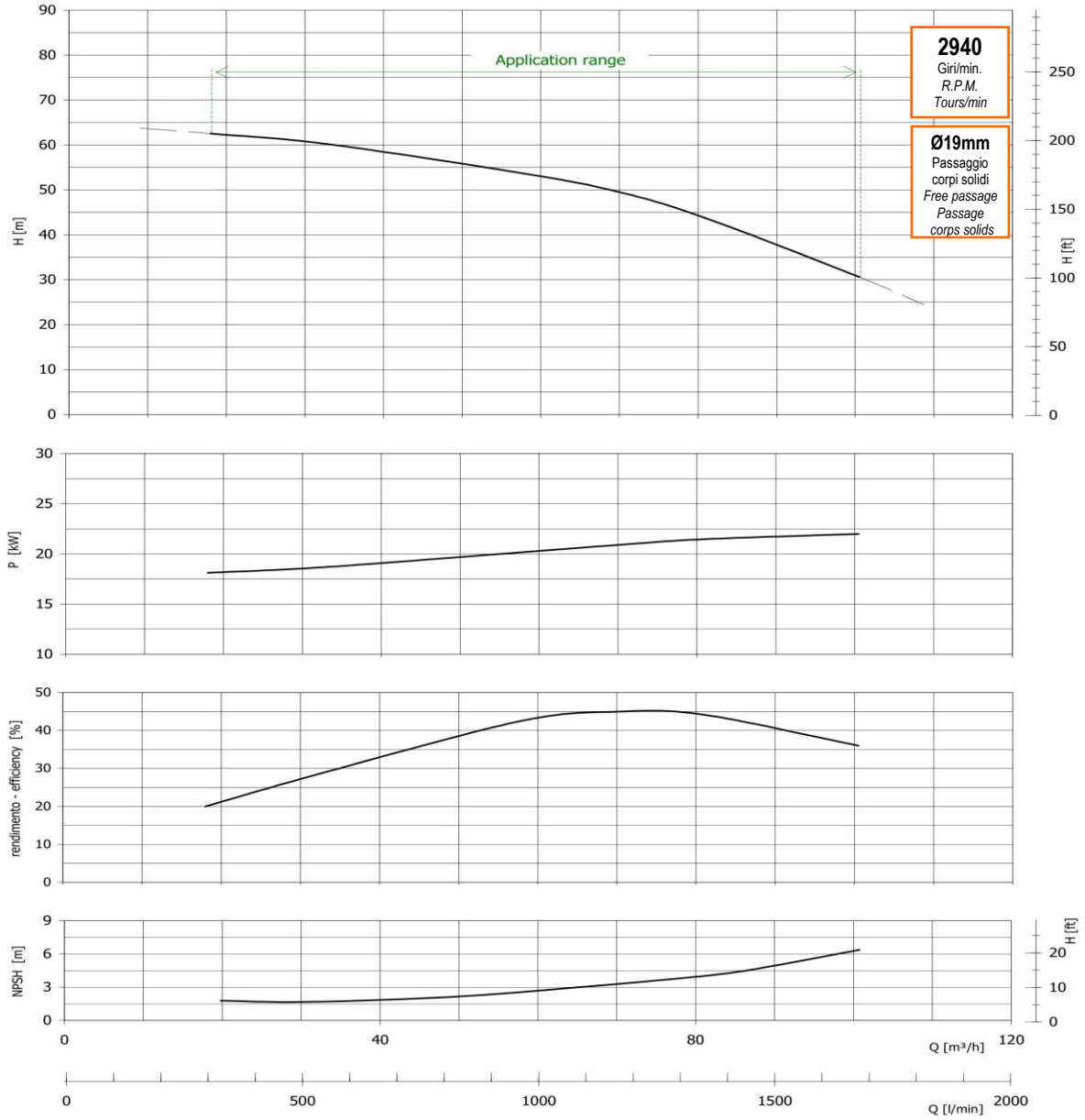
Tolleranze e curve secondo UNI EN ISO 9906  
Appendice A

#### PERFORMANCES CURVES

Tolerances and curves according to UNI EN ISO 9906  
Attachment A

#### COURBES DE PERFORMANCES

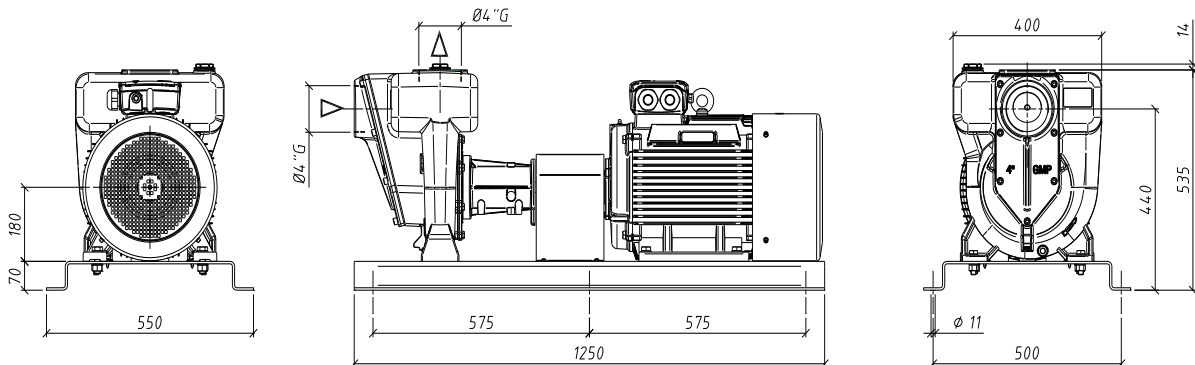
Tolérance et courbes conformes aux normes UNI EN ISO 9906  
Annexe A



#### DIMENSIONI

#### DIMENSIONS

#### DIMENSIONS



**PESO**  
Weight  
Kg  
295