

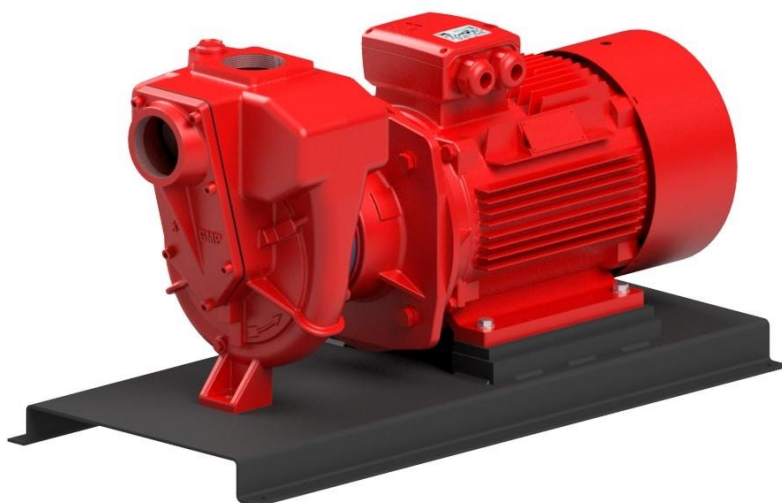
# ELETTROPOMPE AUTOADESCANTI PER GASOLIO

## SELF PRIMING ELECTRIC PUMPS FOR DIESEL FUEL

### ELECTROPOMPES AUTOAMORÇANTES POUR DIESEL

GMP  
PUMPS

B3ZPM-A 22kW



#### DESCRIZIONE

Elettropompa autoadescante in ghisa adatta per travaso gasolio, realizzata in versione monoblocco a girante multipalare aperta.

Una valvola a clapet, con guarnizione in Viton, posta all'interno del corpo pompa impedisce lo svuotamento della pompa dopo l'arresto.

#### DESCRIPTION

Cast iron self priming electric pump suitable for diesel fuel transfer, made in monobloc execution with multi-blades open impeller.

A non return valve, with Viton gasket, is placed inside the pump body to avoid the empty after stopping.

#### DESCRIPTION

Electropompe autoamorçantes en fonte adaptée au transfert de carburante diesel, réalisée en version monobloc avec turbine ouverte plusieurs pales.

Une valve à clapet, avec garniture en Viton, est placée dans le corps de la pompe pour éviter le vidage après l'arrêt.

#### CARATTERISTICHE

Altezza massima di aspirazione: 6 m.  
Max temperatura del liquido: +20°C  
Max passaggio corpi solidi: 19 mm  
Portata massima: 75 m<sup>3</sup>/h  
Prevalenza massima: 8 bar  
Ø aspirazione: 3"G  
Ø mandata: 3"G

#### FEATURES

Max. suction depth: 6 m.  
Max. liquid temperature: +20°C  
Max. solids diameter: 19 mm  
Max. delivery: 75 m<sup>3</sup>/h  
Max. manometric head: 8 bar  
Ø inlet: 3"G  
Ø outlet: 3"G

#### CARACTERISTIQUES

Hauteur d'aspiration maximale: 6 m.  
Température Max.: +20°C  
Max. diamètre des solides: 19 mm  
Débit maximum: 75 m<sup>3</sup>/h  
Hauteur manométrique: 8 bars  
Ø aspiration: 3"G  
Ø refoulement: 3"G

#### MATERIALI (Esecuzione Standard)

Corpo pompa: Ghisa  
Corpo valvola: Ghisa  
Girante: Ghisa  
Supporto motore: Ghisa  
Albero motore: Acciaio inox Aisi 316 (1.4401)  
Tenuta mecc.: Viton/Carbone/Allumina

#### MATERIALS (Standard Execution)

Pump body: Cast iron  
Valve body: Cast iron  
Impeller: Cast iron  
Support: Cast iron  
Motor shaft: Stainless steel Aisi 316 (1.4401)  
Seal: Viton/Carbon/Alumina

#### MATERIAUX (Exécution Standard)

Corps de pompe: Fonte  
Corps valve: Fonte  
Turbine: Fonte  
Support: Fonte  
Arbre moteur: Acier Inox Aisi 316 (1.4401)  
Garniture: Viton/Charbon/Alumine

#### VERSIONI SPECIALI

Tenute meccaniche e altre parti in materiali diversi  
Tensioni speciali  
Frequenza 60Hz

#### SPECIAL VERSION

Mechanical seals and other parts in different materials.  
Special voltages - Frequency 60Hz

#### VERSIONS SPECIALES

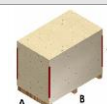
Garnitures mécaniques et autres pièces en différents matériaux.  
Voltages spéciaux - Fréquence 60Hz

#### DATI TECNICI

#### TECHNICAL DATA

#### DONNES TECHNIQUES

| Tipo<br>Type | P2<br>(kW) | V<br>(Volt) | Freq.<br>(Hz) | Corrente nominale<br>Rated current<br>Intensité<br>(A) | Protez.<br>Protection | Giri/min<br>RPM<br>Tours/min | Cond.<br>(µF) | Peso<br>Weight<br>Poids<br>(Kg.) | A/B/C<br>(mm) |
|--------------|------------|-------------|---------------|--|-----------------------|------------------------------|---------------|----------------------------------|---------------|
| B3ZPM-A      | 22         | 400/690     | 50            | 39 / 22,6  | IP 55                 | 2900                         | -             | 275                              | 515x1060x725  |



# ELETTROPOMPE AUTOADESCANTI PER GASOLIO

## SELF PRIMING ELECTRIC PUMPS FOR DIESEL FUEL

### ELECTROPOMPES AUTOAMORÇANTES POUR DIESEL

**B3ZPM-A 22kW**

#### CURVE DI PRESTAZIONE

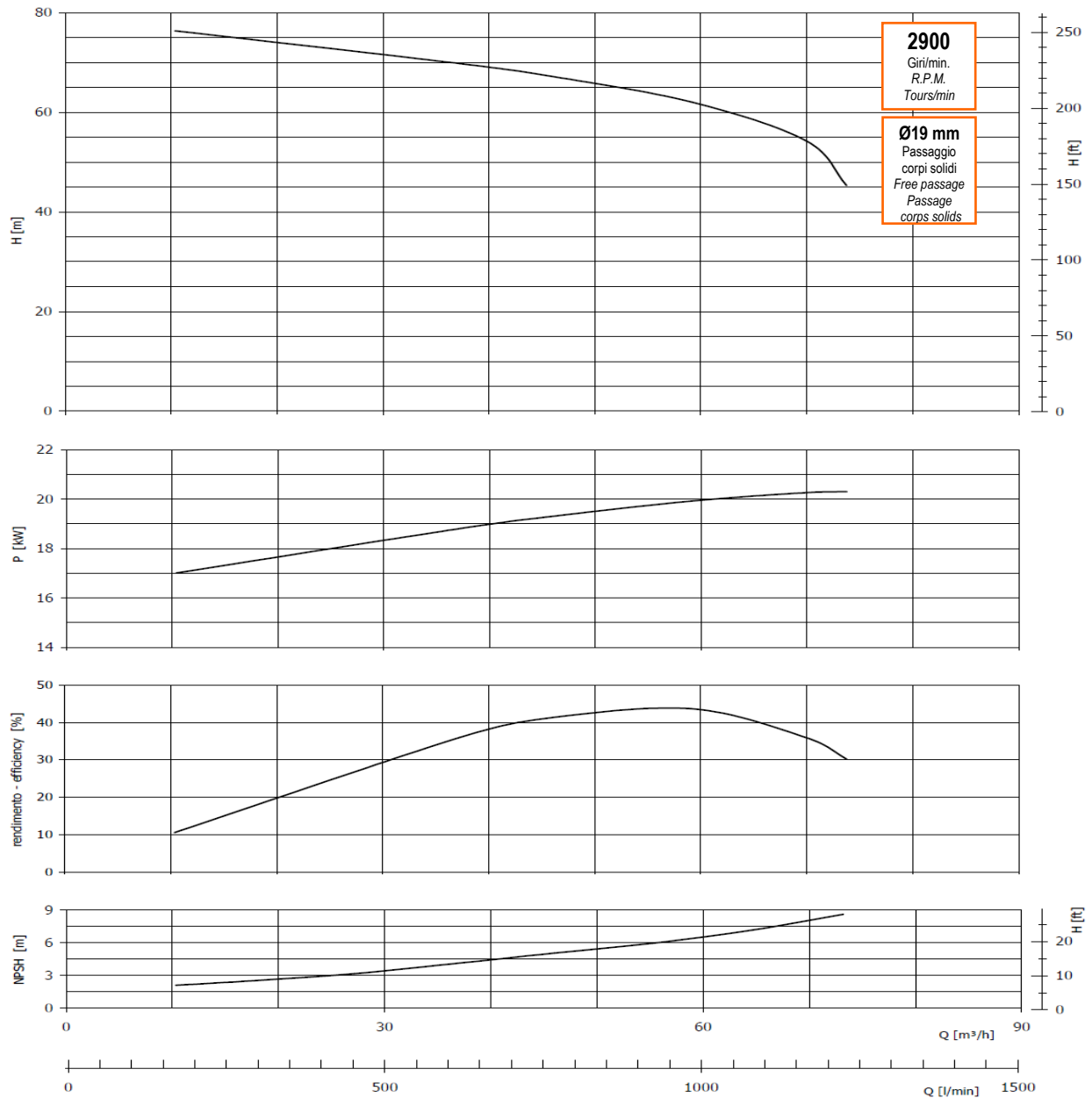
Tolleranze e curve secondo UNI EN ISO 9906  
Appendice A

#### PERFORMANCES CURVES

Tolerances and curves according to UNI EN ISO 9906  
Attachment A

#### COURBES DE PERFORMANCES

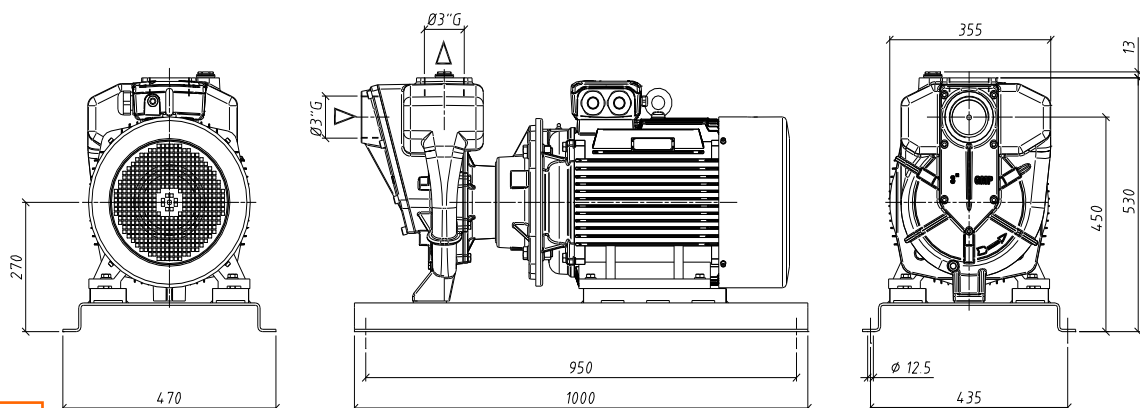
Tolérance et courbes conformes aux normes UNI EN ISO 9906  
Annexe A



#### DIMENSIONI

#### DIMENSIONS

#### DIMENSIONS



**PESO**  
Weight  
Kg  
275

La GMP si riserva la facoltà di modificare senza preavviso i dati riportati in questo catalogo - GMP can alter without notifications the data mentioned in this catalogue. - GMP se réserve le droit de modifier sans préavis les données techniques dans ce catalogue.

G.M.P. S.p.A. - Via Sale, 119/121 - 25064 Gussago (BS) Italy - Vendite Italia 030.2775 420 \_ 421 - Export +39 030 2775 412 \_ 414

www.gmppumps.com - info@gmppumps.com